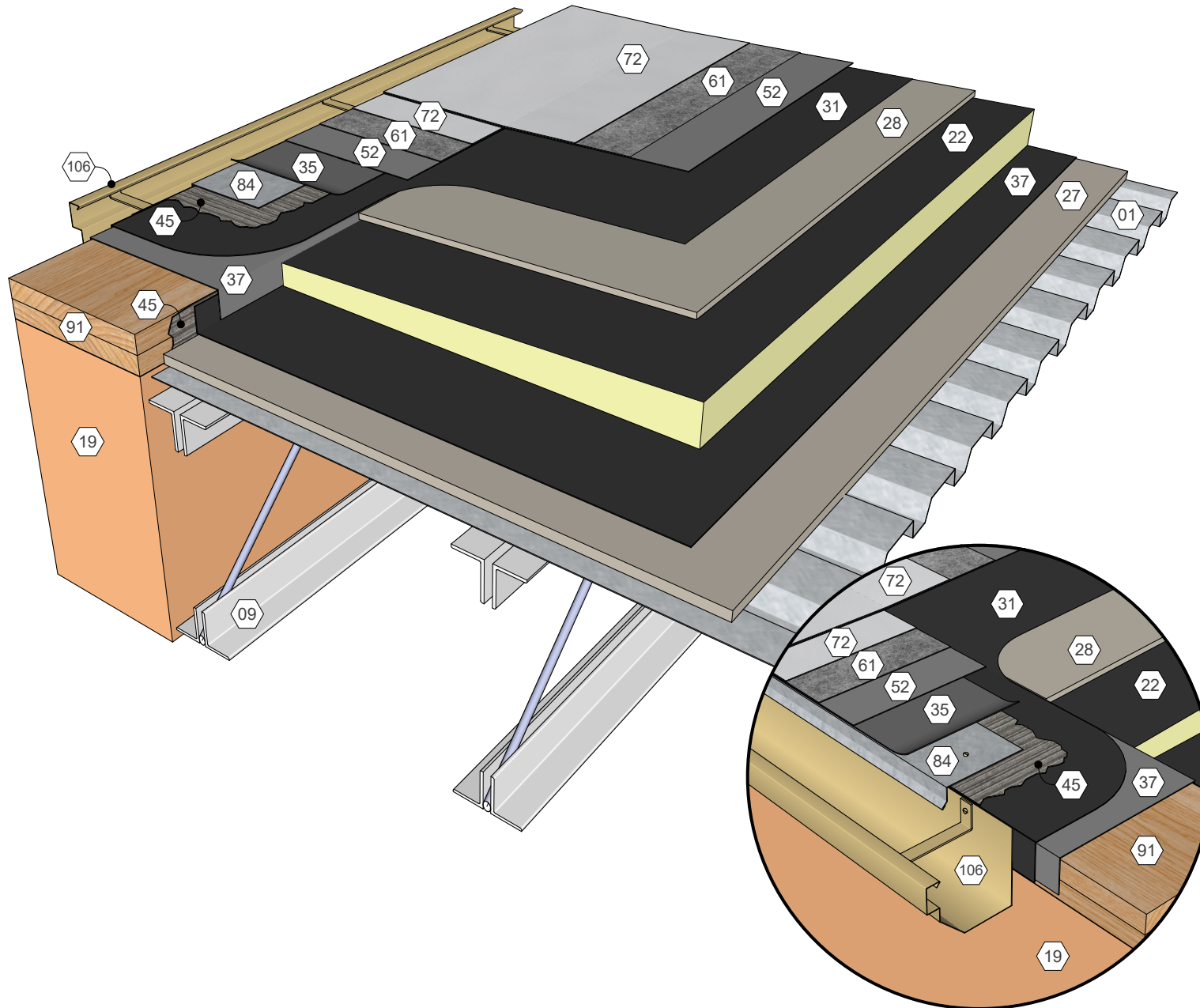


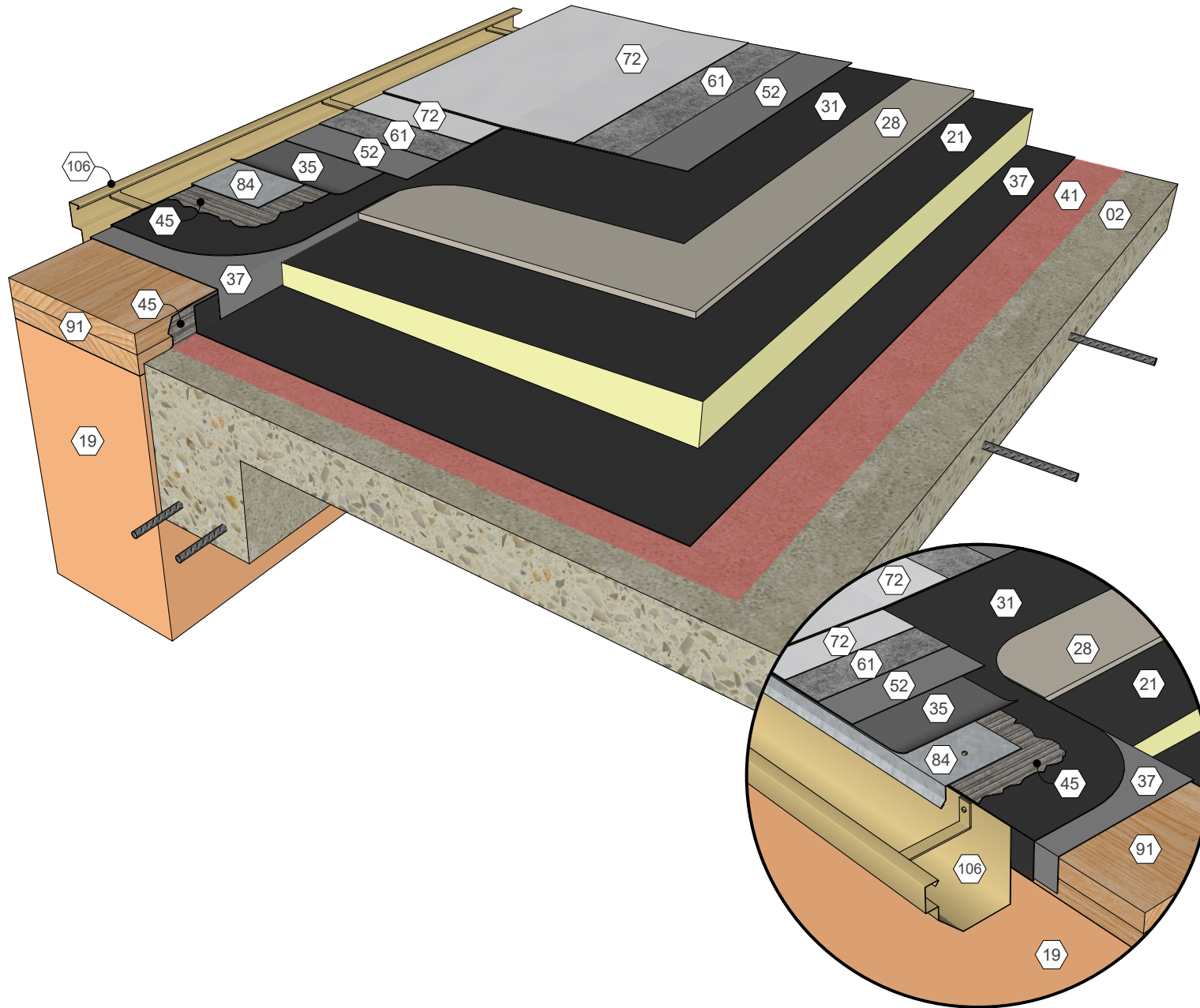
## KEY NOTES

- 01 Metal Deck
- 09 Roof Structure
- 19 Wall Assembly
- 22 Polyisocyanurate Insulation (Fastened or Adhered)
- 27 Substrate Board (Fastened)
- 28 Cover Board (Adhered)
- 31 Approved Base Ply Sheet
- 35 Stripping Ply
- 37 Approved Base Sheet (Adhered)
- 45 Roofing Mastic
- 52 AlphaGuard BIO Base Coat
- 61 AlphaGuard Glass Mat or Permafab
- 72 AlphaGuard BIO Top Coat
- 84 Sheet Metal Edge Flashing
- 91 Wood Blocking
- 106 Sheet Metal Gutter System



AlphaGuard® BIO Plus Gutter, Temp. Roof, Metal Deck  
Detail 33251

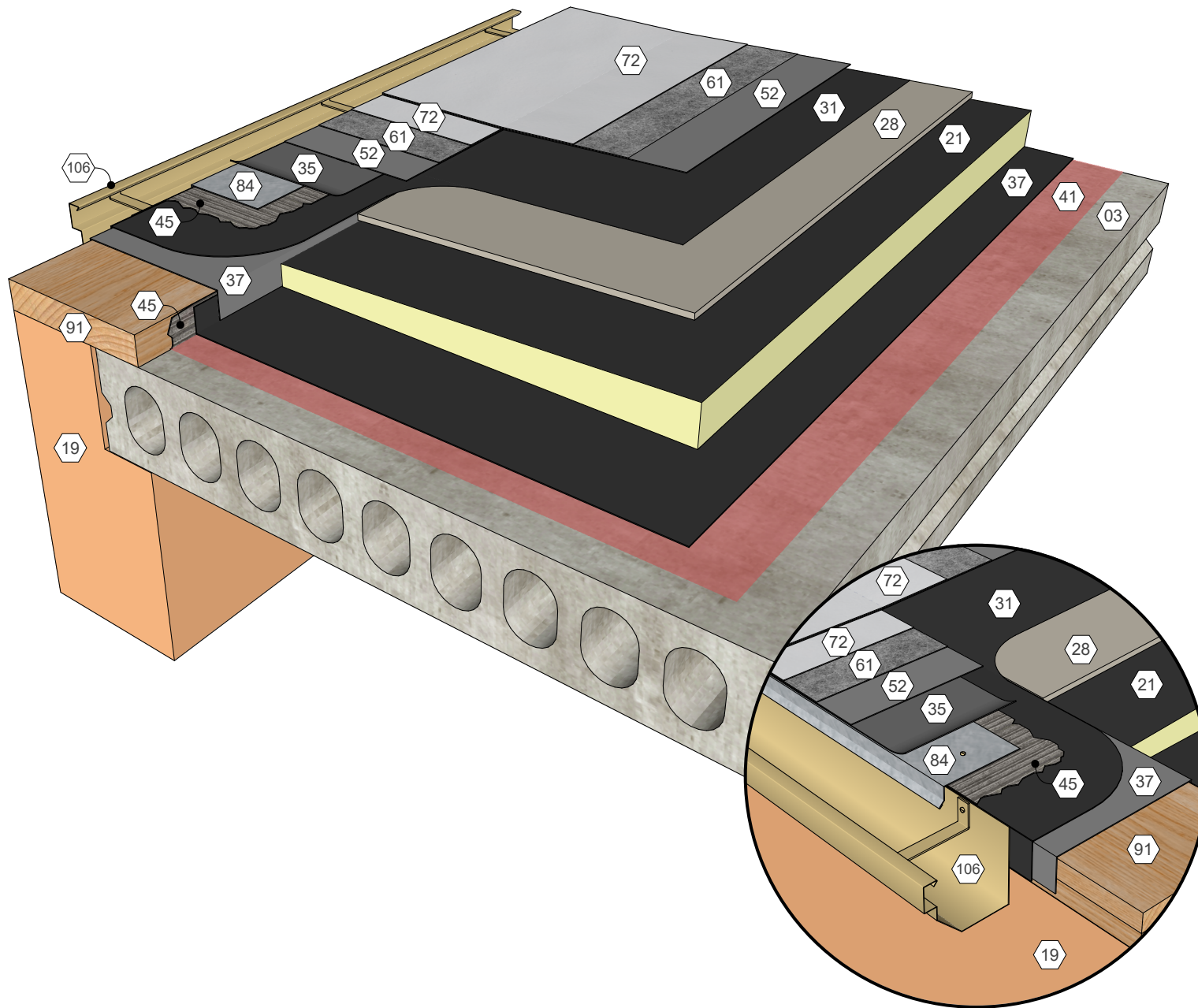
**TREMCO**  
ROOFING & BUILDING MAINTENANCE



### KEY NOTES

- 02 Structural Concrete Deck
- 19 Wall Assembly
- 21 Polyisocyanurate Insulation (Adhered)
- 28 Cover Board (Adhered)
- 31 Approved Base Ply Sheet
- 35 Stripping Ply
- 37 Approved Base Sheet (Adhered)
- 41 Approved Primer
- 45 Roofing Mastic
- 52 AlphaGuard BIO Base Coat
- 61 AlphaGuard Glass Mat or Permafab
- 72 AlphaGuard BIO Top Coat
- 84 Sheet Metal Edge Flashing
- 91 Wood Blocking
- 106 Sheet Metal Gutter System

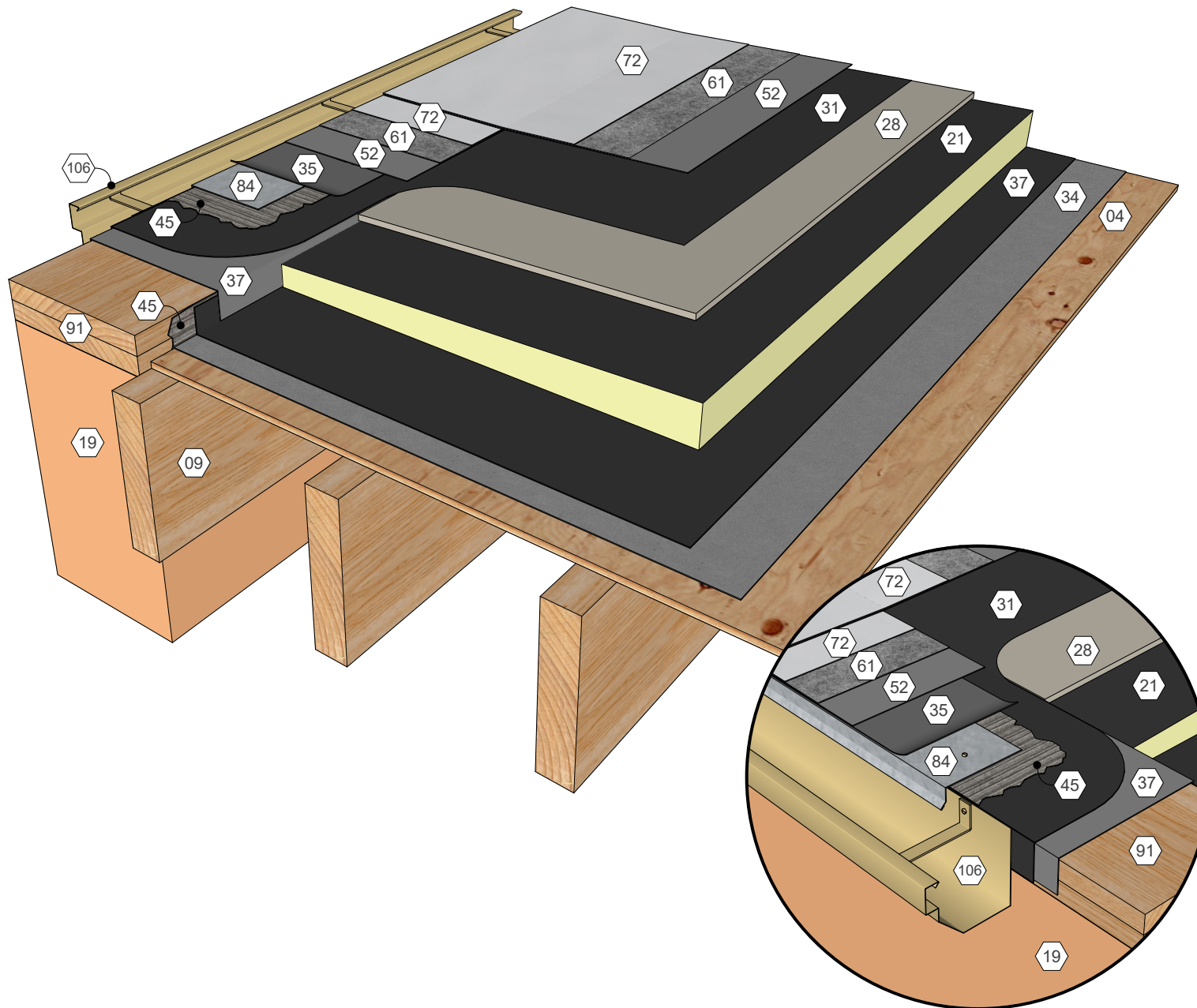
AlphaGuard® BIO Plus Gutter, Temp. Roof, Structural Concrete Deck  
 Detail 33252



## KEY NOTES

- 03 Precast Concrete Deck
- 19 Wall Assembly
- 21 Polyisocyanurate Insulation (Adhered)
- 28 Cover Board (Adhered)
- 31 Approved Base Ply Sheet
- 35 Stripping Ply
- 37 Approved Base Sheet (Adhered)
- 41 Approved Primer
- 45 Roofing Mastic
- 52 AlphaGuard BIO Base Coat
- 61 AlphaGuard Glass Mat or Permafab
- 72 AlphaGuard BIO Top Coat
- 84 Sheet Metal Edge Flashing
- 91 Wood Blocking
- 106 Sheet Metal Gutter System

AlphaGuard® BIO Plus Gutter, Temp. Roof, Precast Concrete Deck  
 Detail 33253



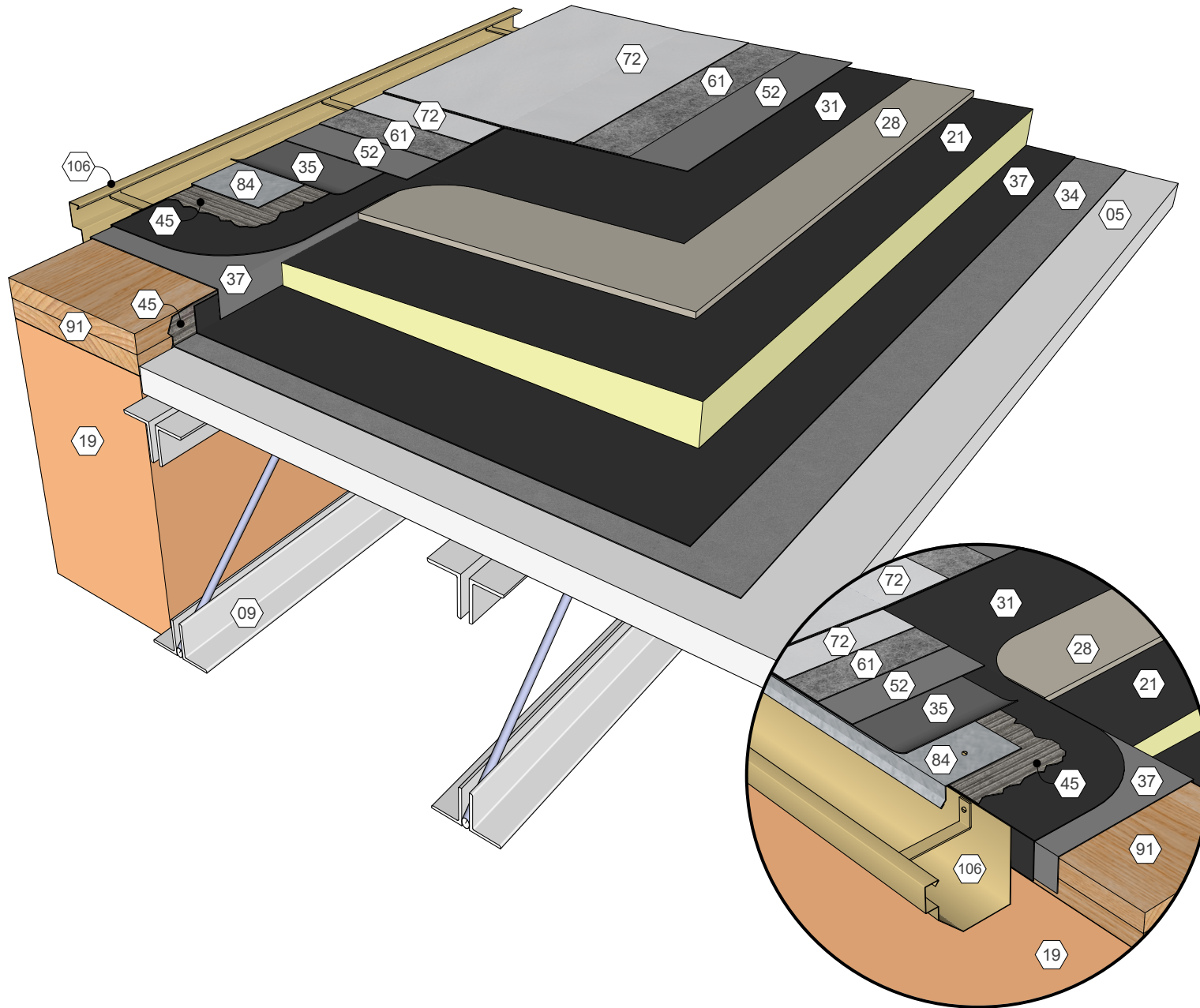
### KEY NOTES

- 04 Wood Deck
- 09 Roof Structure
- 19 Wall Assembly
- 21 Polyisocyanurate Insulation (Adhered)
- 28 Cover Board (Adhered)
- 31 Approved Base Ply Sheet
- 34 Base Sheet (Fastened)
- 35 Stripping Ply
- 37 Approved Base Sheet (Adhered)
- 45 Roofing Mastic
- 52 AlphaGuard BIO Base Coat
- 61 AlphaGuard Glass Mat or Permafab
- 72 AlphaGuard BIO Top Coat
- 84 Sheet Metal Edge Flashing
- 91 Wood Blocking
- 106 Sheet Metal Gutter System

AlphaGuard® BIO Plus Gutter, Temp. Roof, Wood Deck  
 Detail 33254

## KEY NOTES

- 05 Gypsum Deck
- 09 Roof Structure
- 19 Wall Assembly
- 21 Polyisocyanurate Insulation (Adhered)
- 28 Cover Board (Adhered)
- 31 Approved Base Ply Sheet
- 34 Base Sheet (Fastened)
- 35 Stripping Ply
- 37 Approved Base Sheet (Adhered)
- 45 Roofing Mastic
- 52 AlphaGuard BIO Base Coat
- 61 AlphaGuard Glass Mat or Permafab
- 72 AlphaGuard BIO Top Coat
- 84 Sheet Metal Edge Flashing
- 91 Wood Blocking
- 106 Sheet Metal Gutter System



AlphaGuard® BIO Plus Gutter, Temp. Roof, Gypsum Deck  
Detail 33255

**TREMCO**  
ROOFING & BUILDING MAINTENANCE